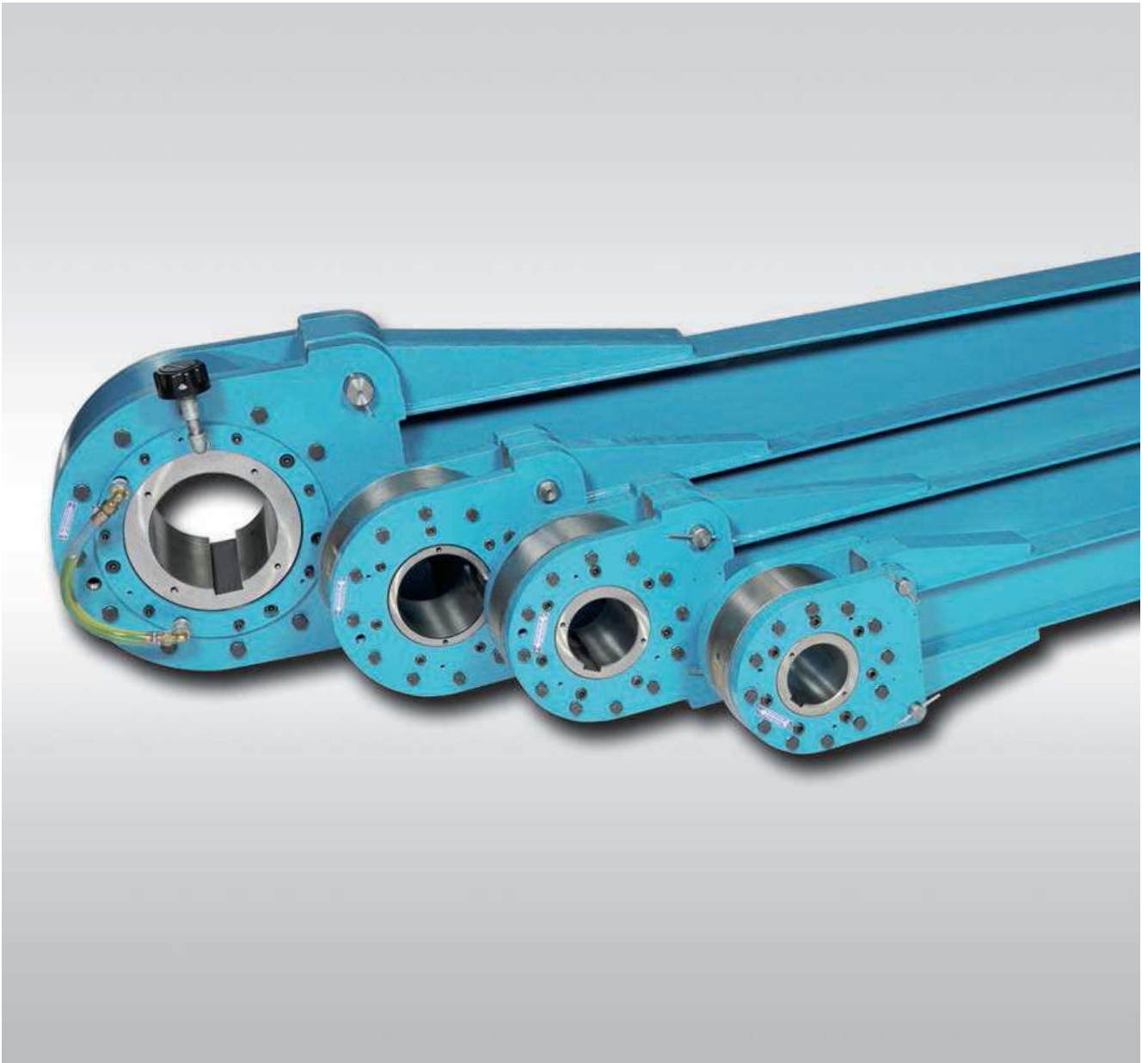


Installation and Operating Instructions for Complete Low-Speed Backstops FRSC

E 08.786e



RINGSPANN South Africa (Pty) Ltd.

96 Plane Road Spartan
Kempton Park,
Eden Glen 1613
South Africa

Telephone +27113941830
Fax +27119756504

www.ringspann.co.za
info@ringspann.co.za

RINGSPANN GmbH	Installation and Operating Instructions for Complete Freewheels FRSC	E 08.786e			
Stand: 16.04.2018	Version: 02	gez.: KNAF	gepr.: HEUT	Seitenzahl: 12	Seite: 2

Important

Please read these instructions carefully before installing and operating the product. Your particular attention is drawn to the notes on safety.

These installation and operating instructions are valid on condition that the product meets the selection criteria for its proper use. Selection and design of the product is not the subject of these installation and operating instructions.

Disregarding or misinterpreting these installation and operating instructions invalidates any product liability or warranty by RINGSPANN; the same applies if the product is taken apart or changed.

These installation and operating instructions should be kept in a safe place and should accompany the product if it is passed on to others – either on its own or as part of a machine – to make it accessible to the user.

Safety Notice

- Installation and operation of this product should only be carried out by skilled personnel.
- Repairs may only be carried out by the manufacturer or accredited RINGSPANN agents.
- If a malfunction is indicated, the product or the machine into which it is installed, should be stopped immediately and either RINGSPANN or an accredited RINGSPANN agent should be informed.
- Switch off the power supply before commencing work on electrical components.
- Rotating machine elements must be protected by the purchaser to prevent accidental contact.
- Supplies abroad are subject to the safety laws prevailing in those countries.

RINGSPANN GmbH	Installation and Operating Instructions for Complete Freewheels FRSC	E 08.786e			
Stand: 16.04.2018	Version: 02	gez.: KNAF	gepr.: HEUT	Seitenzahl: 12	Seite: 3

Contents

1	General information	4
1.1	Application as a backstop	4
2	Design	5
3	General notes	6
4	Condition at delivery	7
5	Technical prerequisite for reliable operation.....	7
5.1	Shaft to Bore fit:.....	7
5.2	Backstop Mounting Fit on Shaft	7
5.3	Rotation	7
5.4	Axial Retention.....	8
6	Installation	8
6.1	Mounting the Backstop Head and Key onto the Shaft	8
6.2	Installation Instruction for Oil Level Indicator.....	9
6.3	Attach Torque Arm to Backstop	9
6.4	Backstop Torque Arm Support and Positioning.....	9
7	Maintenance	11
8	Lubrication	12

RINGSPANN GmbH	Installation and Operating Instructions for Complete Freewheels FRSC	E 08.786e			
Stand: 16.04.2018	Version: 02	gez.: KNAF	gepr.: HEUT	Seitenzahl: 12	Seite: 4

1 General information

Complete Freewheels FRSC are machine elements with particular characteristics::

- In one direction of rotation there is no contact between the inner and outer ring; the freewheel is in freewheeling operation.
- In the other direction of rotation there is contact between the inner and outer ring: in this direction, it is possible to transmit high torque.

Complete Freewheels FRSC are used as:

- Backstops



Caution!

Freewheels can be used as safety components, it is therefore essential that these installation and operation instructions are followed carefully.

1.1 Application as a backstop

Freewheels are used as backstops if reverse rotation is to be prevented. In many machines and installations, for technical safety or functional reasons, it is necessary to ensure that you are working in just one specified direction of rotation. That is why there are legal stipulations requiring a mechanical safety device for the operation of, e.g. conveyor systems.

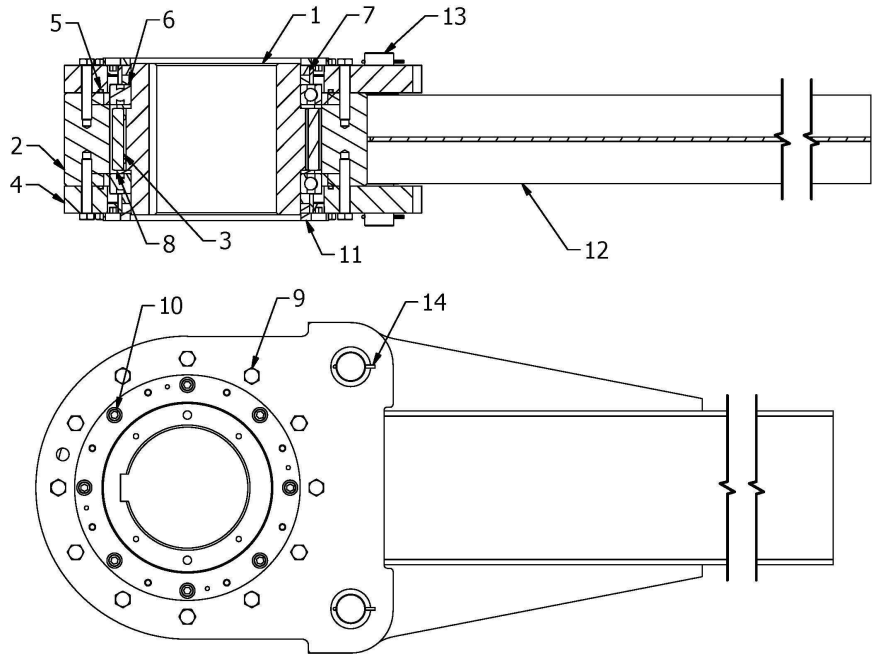
The normal operating mode of a backstop is freewheeling operation; the locking (torque transmission) is performed at zero speed. The immediate engagement of the clamping elements ensures the required high operating safety.

2 Design

Sectional Drawing

Backstops are designed with the essential functional components:

- 1.) Inner Race
- 2.) Outer Race
- 3.) Rollers
- 4.) Cover Plates
- 5.) O-Rings
- 6.) Bearings
- 7.) Sealing Arrangement
- 8.) Spacers
- 9.) Fasteners
- 10.) Fastners/Oil Plugs
- 11.) Seal Retainer
- 12.) Torque Arm
- 13.) Torque Arm Pins
- 14.) Cotter Pin



Please note!

More information, in particular on the design and function, layout and selection, permissible torques and permissible speeds of these freewheels, can be found in the RINGSPANN Data sheet. Alternatively, contact RINGSPANN GmbH directly.

RINGSPANN GmbH	Installation and Operating Instructions for Complete Freewheels FRSC	E 08.786e			
Stand: 16.04.2018	Version: 02	gez.: KNAF	gepr.: HEUT	Seitenzahl: 12	Seite: 6

3 General notes



Caution!

The safe torque transmission of the freewheel is only ensured if the maximum permissible driving speed is not exceeded.

Exceeding the respective permissible speeds for the various operating states can lead to damage and an impermissible rise in temperature of the freewheel!



Caution!

The maximum permissible torque of the freewheel may not be exceeded by application-related peak torques.

The selection torque of the freewheel should be calculated with the help of the RINGSPANN catalogue 84, if necessary please contact RINGSPANN.

Freewheel damages that result from impermissibly high peak torques lead to a loss of function and can lead to an impermissible rise in temperature of the freewheel!



Caution!

If the system is exposed to axial and/or radial loads, the roller bearings in the freewheel should be checked with reference to the rules for calculation provided by the bearing manufacturer. It is essential to ensure that bearings will not be damaged.

Bearing damage can result in overheating and the impairment of freewheel function!



Caution!

No impermissible torsional oscillations (amplitudes and frequencies that lead to a loading and unloading of the freewheel in quick succession etc.) may occur.

Torsional oscillations can lead to a loss of function and to an impermissible rise in temperature of the freewheel!

RINGSPANN GmbH	Installation and Operating Instructions for Complete Freewheels FRSC	E 08.786e			
Stand: 16.04.2018	Version: 02	gez.: KNAF	gepr.: HEUT	Seitenzahl: 12	Seite: 7

4 Condition at delivery

The Complete Freewheels FRSC are delivered with oil.

Although all backstops are shipped from the factory with oil, lubrication levels must be checked prior to operation.

Store backstop in a protected, clean and dry area. Once every two months the inner race should be rotated by hand several times to lubricate internal components.

Exposed, unpainted surfaces should be “brush painted” with a rust preventative. Before placing backstop in operation, completely drain and properly fill with oil per “Lubrication” instructions.



Important!

Backstops out of service or in storage for 2 or more years, require new seals before being put into operational service.

5 Technical prerequisite for reliable operation

5.1 Shaft to Bore fit:

- Machine Builders may use non-standard shaft fits to mount RINGSPANN backstops. In this event, direct any questions concerning shaft fit to the machine builder or RINGSPANN.

5.2 Backstop Mounting Fit on Shaft

- The bore in the inner ring normally has a tolerance of ISO H7. The tolerance of the shaft must be in this case ISO h6 or j6. The shaft must be straight and not tapered.
- The key must have back play and may have only minimal width oversize, as otherwise the inner ring may be deformed.



WARNING!

DO NOT use Tapered Keys, Keys Must Be Straight.

5.3 Rotation

- The backstop is symmetrical, which allows it to be mounted for the desired direction of free shaft rotation.
- Check to *make certain* that the arrow, marked “FREE”, on the backstop inner race face is in the same direction as the desired free shaft rotation.



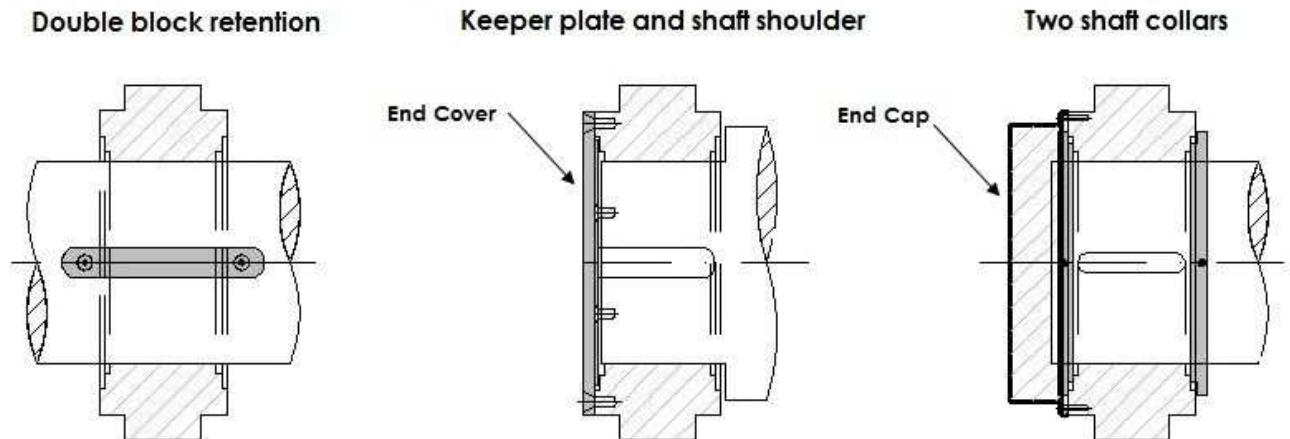
WARNING!

Rotating equipment is potentially dangerous and should be properly guarded. The user should comply with all applicable safety codes to guard rotating equipment.

RINGSPANN GmbH	Installation and Operating Instrutions for Complete Freewheels FRSC	E 08.786e			
Stand: 16.04.2018	Version: 02	gez.: KNAF	gepr.: HEUT	Seitenzahl: 12	Seite: 8

5.4 Axial Retention

- Since Backstops are not a tight fit on shafts, some methods of retention should be used to prevent the Backstop from „walking“ on the shaft, as this may cause end of torque arm to contact stirrup and cause premature bearing failure.



6 Installation



ATTENTION!

Before securing into place, check for proper rotation. As the clutch is symmetrical, in determining the proper direction of free rotation, orientate the clutch to match the directional arrows marked "FREE" on either face of the inner race and then verify by spinning the backstop by hand.



DO NOT FORCE BACKSTOP ONTO SHAFT!

Evidence of damage during assembly caused by disregard of the above instructions is readily traceable and RINGSPANN will not be held responsible for failure of such affected part or parts.

6.1 Mounting the Backstop Head and Key onto the Shaft

- Backstop bores are finished to size for an **easy push fit** on a shaft that is straight and not tapered.
- Shafts should be smooth and free of burrs.
- Coat the shaft with an anti-seizing agent for easy mounting and future removal of the backstop.
- Push the backstop head onto the shaft.
 - Taking care to push only on the face of the inner race.
 - Rotate outer race by hand to verify proper rotation.
 - Secure set screws on both ends. **(Two per side)**
 - Rotate outer race by hand and mount visual oil gauge. **(See next page for instructions)**

RINGSPANN GmbH	Installation and Operating Instrutions for Complete Freewheels FRSC	E 08.786e			
Stand: 16.04.2018	Version: 02	gez.: KNAF	gepr.: HEUT	Seitenzahl: 12	Seite: 9

6.2 Installation Instruction for Oil Level Indicator

BEFORE ATTACHING TORQUE ARM

(Oil Fill is Approximated to Shaft Centerline)

A sufficient number of oil inlet holes are provided to permit arrangement of the oil level indicator for any position of the torque arm.

Assembly Sequence:

1. Rotate the backstop on the shaft until both oil screws to be unscrewed are above the center line.
2. Remove the oil screws and fit the elbows with a Teflon thread sealer.
3. Tighten the elbows and orient them as shown in the picture on the right.
4. Install the adapters into the elbows using Teflon thread sealer.
5. Mount tube onto one of the adapters and secure with clamp.
6. Mount free end of tube onto other adapter and secure with clamp.
7. Rotate the backstop to the end position and the pipe clearly indicates the oil level.
8. Attach torque arm to backstop.
9. The tube should display an oil level at the shaft centerline.
10. If not, then add or remove oil from backstop as necessary to obtain "half-full" oil level.
11. Remove the oil screw near the top and install oil breather filter fittings using Teflon thread sealer.
12. Breather must be positioned vertically upward.



6.3 Attach Torque Arm to Backstop

- If installed, remove torque arm pins from backstop cover plates.
- Use a suitable lifting strap to choke the torque arm.
 - Lift it into position between the cover plates.
- Install torque arm pins and cotter pins.
- Do not fasten torque arm end rigidly to steel framework in angular or axial position.

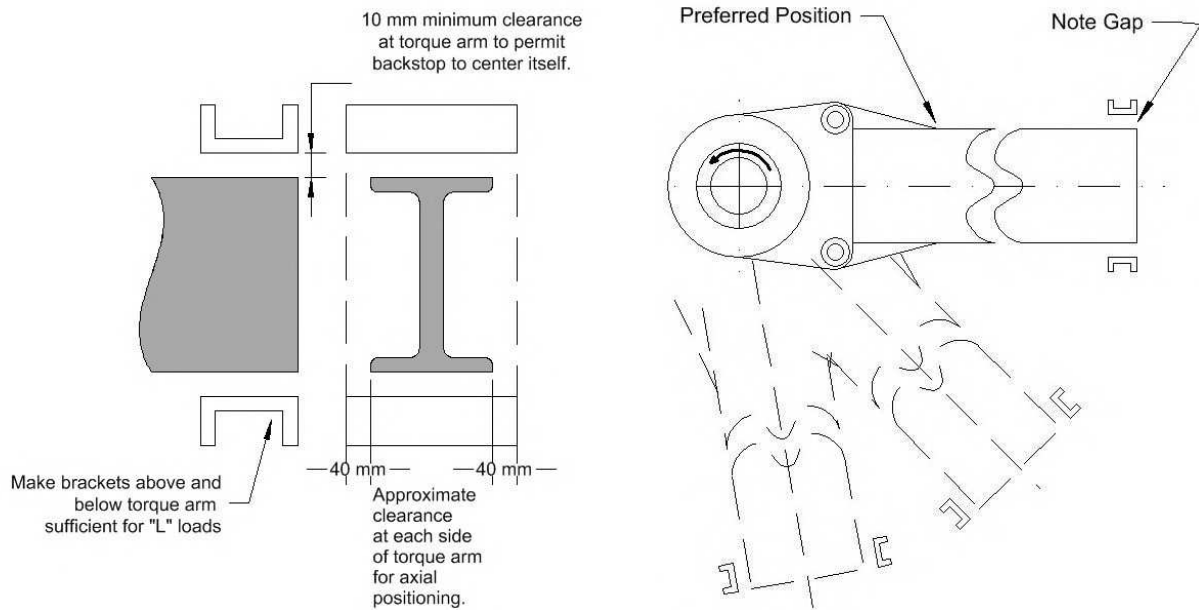
6.4 Backstop Torque Arm Support and Positioning

The end of the torque arm and the head of the backstop must align with the centerline of the stirrup. When the backstop, the torque arm end, and the centerline of the stirrup are properly aligned, the end of the torque arm should have a minimum of 10mm top clearance, approximately 40mm clearance at each side of the torque arm for axial positioning in its stirrup. The torque arm must be in contact with the support bracket in the direction of loading in order to prevent shock loads and maintain clearances on three remaining sides to prevent undue bearing stresses.



CAUTION!

Misaligned torque arm ends, Twisted crosswise torque arms, and Rigidly held torque arms will impose a pinching action in the bearings causing damage to the bearings and backstop.



Safe backstop mounting is possible at any desired angle of the torque arm. However, mounting the backstop in a straight vertical position is not recommended. A minimum angle, approximately 5 degrees from vertical, should be maintained.

When mounted downward through a floor slot, a suitable boot or hood should be placed around the torque arm at or above the floor level to keep foreign matter from restricting possible torque arm movement.

RINGSPANN GmbH	Installation and Operating Instructions for Complete Freewheels FRSC	E 08.786e			
Stand: 16.04.2018	Version: 02	gez.: KNAF	gepr.: HEUT	Seitenzahl: 12	Seite: 11

7 Maintenance

Proper lubrication and lubricant maintenance are the most important single maintenance factor for long, effective, trouble-free operation of backstops.

Lubrication maintenance should not be performed while equipment is in operation.

Change backstop oil every 3 to 6 months as follows:

Note: Always verify oil level in backstop after installation and before start up.

1. Remove breather filter. (Do not remove elbow fitting).
2. Thoroughly clean around fitting before removing.
3. Replace breather filter element if dirty.
4. Drain oil from lowest oil plug on the outer race.
5. Replace drain plug.
6. Flush unit by adding a quantity of clean oil.
7. Remove drain plug to drain flushing oil.
8. Replace drain plug and fill to half of the volume of the clutch.
9. Replace breather filter.
10. Retighten coverplate bolts after first week of operation.

The frequency in which the backstop's lubrication should be inspected is an important consideration and can only be determined by individual experience. However, it is considered desirable to inspect the oil level of the backstop once a week for the first month of service. The results of these inspections will dictate the frequency of future inspections, but in any event should not exceed six month intervals. Under severe working conditions, it may be necessary to perform more frequent lubrication maintenance on the backstop.



WARNING!

Do not mix oils. When switching from one brand or type to another, drain oil and flush backstop with mineral spirits. Do not use any solvent containing carbon tetrachloride.



WARNING!

RINGSPANN is not responsible for any lubrication changes made by others after the backstop leaves the RINGSPANN factory.



WARNING!

Do not attempt to convert oil lubricated backstops to grease lubrication or grease lubrication to oil lubrication. Any such conversion may result in malfunction and will void any warranty.



Important!

Too much grease can impair the function of the freewheel!
Lubricants with graphite, Molykote or similar friction-reducing additives may not be used.

RINGSPANN GmbH	Installation and Operating Instructions for Complete Freewheels FRSC	E 08.786e	
Stand: 16.04.2018	Version: 02	gez.: KNAF	gepr.: HEUT
		Seitenzahl: 12	Seite: 12

8 Lubrication

When re-lubricating or changing the oil we recommend the following oil qualities:

Oil selection table			
Ambient temperature	For ambient temperatures from 0° to 50° C	For ambient temperatures from - 15° to + 15° C	For ambient temperatures from - 40° to 0° C
Kinematic viscosity at 40° C, ISO-VG	46/68 [mm²/s]	32 [mm²/s]	10 [mm²/s]
AGIP	OSO 46/68	OSO 32	OSO 10
ARAL	VITAM GF 46/68	VITAM GF 32	VITAM GF 10
BP	ENERGOL HLP 46/68	ENERGOL HLP 32	AERO HYDRAULIC 1
CASTROL	VARIO HDX	VARIO HDX	ALPHASYNTH 15
CHEVRON	EP HYDRAULIC OIL 46/68	EP HYDRAULIC OIL 32	HYJET IV
DEA	ASTRON HLP 46	ASTRON HLP 32	ASTRON HLP 10
ELF	ELFOLNA 46	ELFOLNA 32	ELF AVIATION HYDRAULIC OIL 20
ESSO	NUTO H 46/68	NUTO H 32	UNIVIS J 13
KLÜBER	LAMORA HLP 46/68	LAMORA HLP 32	Klüberoil 4 UH1-15
MOBIL	D.T.E. 25/26	D.T.E. 24	AERO HF A
SHELL	TELLUS OIL 46/68	TELLUS OIL 32	TELLUS OIL 10
Other manufacturers	Gear or hydraulic oils without solid lubricants ISO-VG 46/68	Gear or hydraulic oils without solid lubricants ISO-VG 32; Automatic transmission fluids [ATF]	Gear or hydraulic oils without solid lubricants ISO-VG 10; note setting point! Aviation hydraulic oils ISO-VG 10

Please contact us in case of temperatures in excess of + 50° C and below - 40° C.

For grease lubrication, we recommend the following lubricants for ambient temperatures from – 15 °C to + 50 °C:

ARAL	ARALUB HL2
BP	ENERGREASE LS2
ESSO	BEACON 2
MOBIL	MOBILUX 2

KLÜBER	ISOFLEX LDS 18 Spezial A
	POLYLUB WH 2
SHELL	ALVANIA RL2