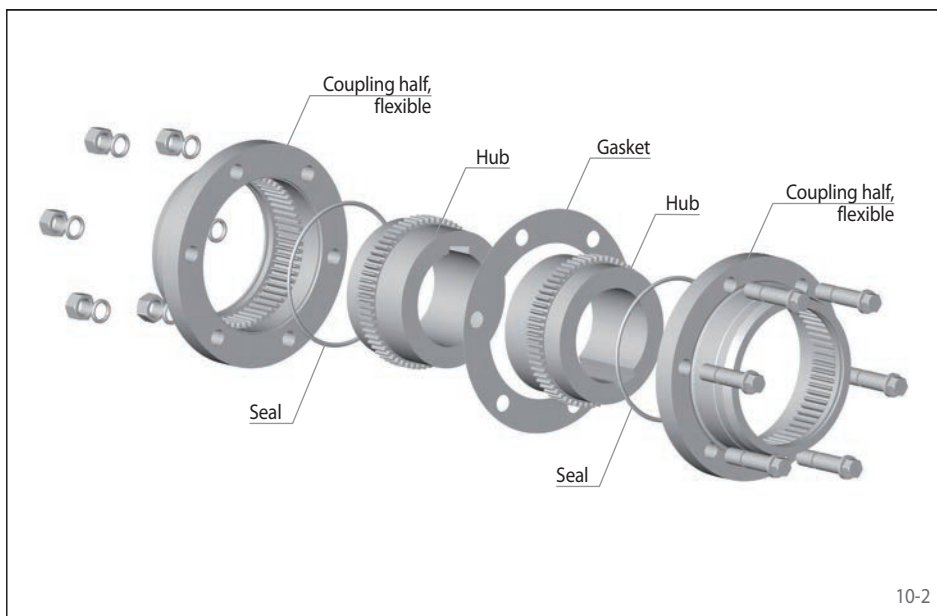


Gear Couplings RDZ ... DTO

torsionally rigid
double engagement gearing – lubricated



10-1



10-2

Features

- High nominal torques up to 391 500 Nm
- High misalignment capability
- Compensation of axial, radial and angular misalignments
- Double engagement allows smooth torque transmission
- Compact design due to inside turned hubs
- Complies with the AGMA standard (American Gear Manufacturer Association) up to coupling size 0090
- High power to weight ratio
- Typical application: Roll drives in the steel and paper industry, pumps, conveyors, fans and blowers

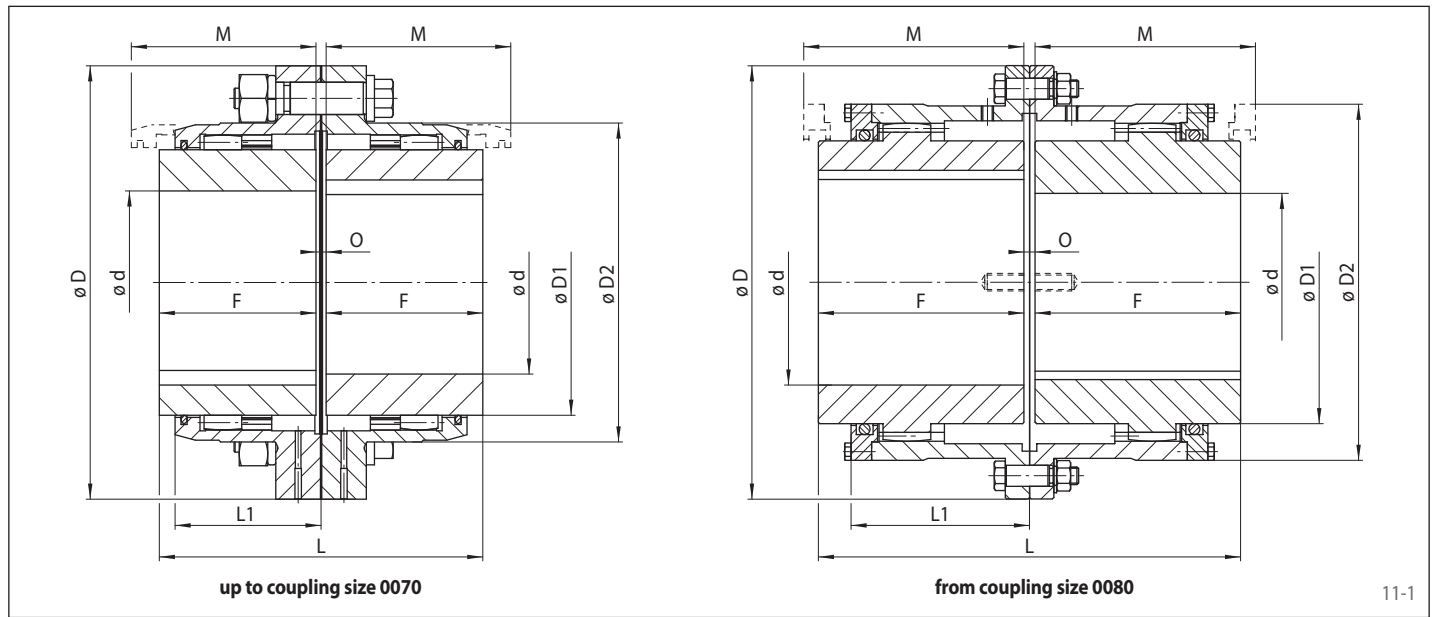
Order example

Order example	Code
Coupling design	RDZ
Coupling size	0010
Type	DTO
Material of the hub: • Steel	STA
Hub A, type: • 0, standard	0
Hub A, design: • finish bored with keyway • roughbored	FB VA
Bore diameter hub A	020
Hub B, type: • 0, standard	0
Hub B, design: • finish bored with keyway • roughbored	FB VA
Bore diameter hub B	025

RDZ 0010 DTO-STA-0FB020-0FB025

Gear Couplings RDZ ... DTO

torsionally rigid
double engagement gearing – lubricated



Coupling size	Nominal torque T_{KN} Nm	Nominal power at 100 min ⁻¹ P_{K100} kW	Max. speed n_{max} min ⁻¹	Moment of inertia with max. bore J_k kgm ²	Permissible misalignments		
					Axial mm	Radial mm	Angular °
0010	1330	14	8000	0,0052	±0,5	0,5	1,5
0015	2860	30	6500	0,0192	±0,5	0,8	
0020	5000	53	5600	0,0410	±0,5	1,0	
0025	10000	105	5000	0,1050	±0,5	1,2	
0030	16000	168	4400	0,1950	±0,5	1,4	
0035	22000	231	3900	0,4540	±1	1,7	
0040	32000	336	3600	0,8600	±1	2,0	
0045	45000	472	3200	1,3900	±1	2,1	
0050	62000	650	2900	2,5300	±1	2,6	
0055	84000	880	2650	3,8300	±1	2,9	
0060	115000	1205	2450	5,2100	±2	3,2	
0070	174000	1823	2150	11,0000	±2	3,7	
0080	252000	2639	1750	20,7200	±2	4,2	
0090	290000	3037	1550	34,9500	±2	4,8	
0100	391500	4100	1450	55,9500	±3	5,5	

Coupling size	Pilot bore d^* mm	Bore d^* mm		D mm	D1 mm	D2 mm	F mm	L mm	L1 mm	M** mm	O mm	Weight with max. bore kg
		min. mm	max. mm									
0010	13	15	52	116	69	84	43	89	39	51	3	4,4
0015	19	21	65	152	86	105	50	103	48	61	3	9
0020	26	28	80	178	105	127	62	127	60	76	3	15
0025	30	32	98	213	131	155	77	159	72	92	5	27
0030	36	38	115	240	152	181	91	187	84	106	5	40
0035	36	38	135	279	178	211	107	220	98	130	6	65
0040	36	38	160	318	210	250	121	248	111	145	6	96
0045	50	52	180	346	235	274	135	278	123	165	8	131
0050	69	71	195	389	254	306	153	314	141	183	8	186
0055	68	70	215	425	279	334	168	344	158	203	8	247
0060	105	110	235	457	305	366	188	384	169	228	8	299
0070	105	110	280	527	356	425	221	451	196	266	9	473
0080	105	110	285	590	385	485	249	508	243	300	10	682
0090	145	150	300	660	420	535	276	565	265	325	13	898
0100	155	160	330	711	470	595	305	623	294	355	13	1242

For finish bores, please specify bore diameter hub A and hub B. Tolerance of finish bores H7. Keyways in accordance with DIN 6885, sheet 1. Keyway tolerance JS9, different bore and keyway tolerances on request. Upon request, couplings larger than frame size 0100 also available.
* Bores also available in inch size, see page 68. ** Minimum necessary space to align the shafts.