

Brake Caliper DV 020 FEM

spring activated – electromagnetically released

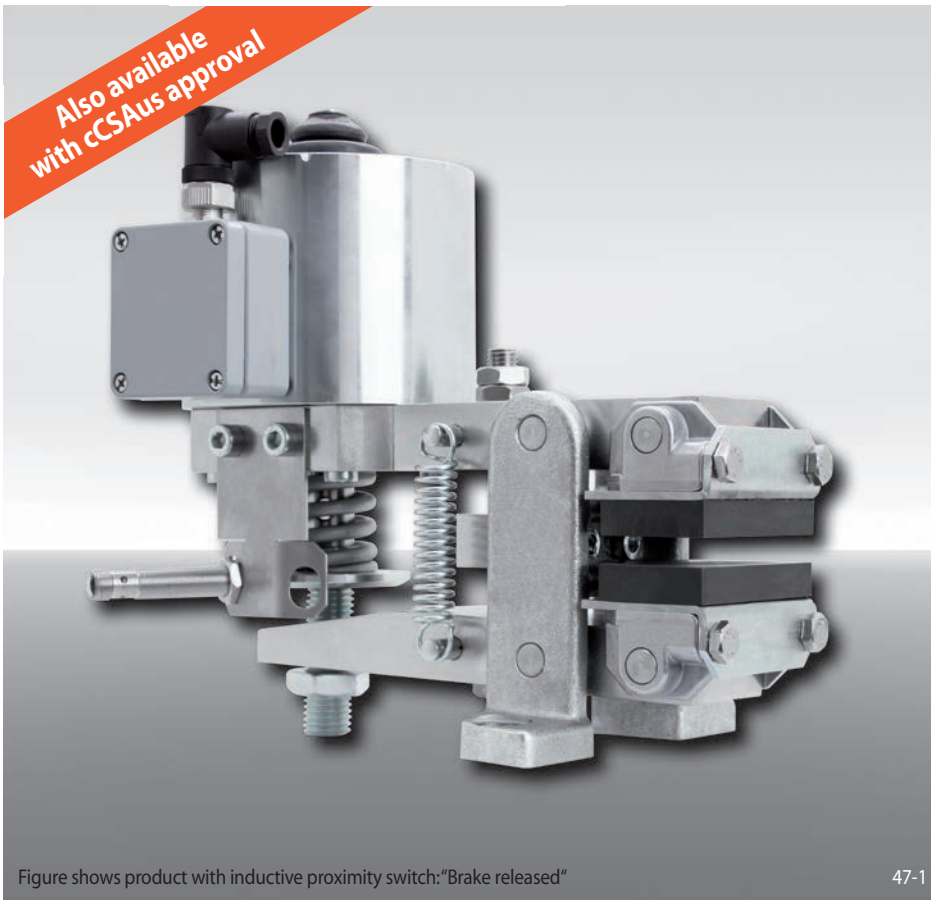


Figure shows product with inductive proximity switch: "Brake released"

Features

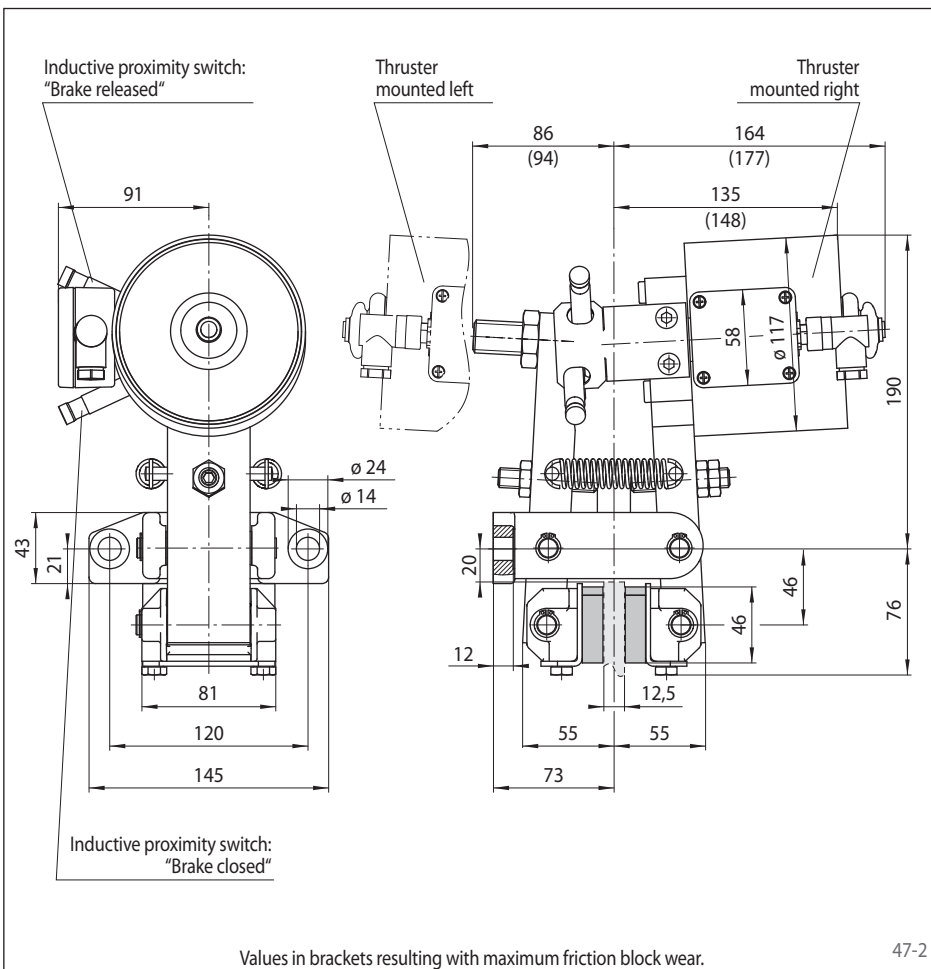
Features	Code
Brake Caliper	D
Mounting to the machine parallel to the brake disc	V
Frame size 020	020
Spring activated	F
Electromagnetically released	E
Manual adjustment to accommodate friction block wear	M
Electromagnet for 230/240 VAC	460
Thruster mounted right or left available	R L
Thickness of brake disc 12,5 mm	12

Example for ordering

Brake Caliper DV 020 FEM, electromagnet for 230 V, thruster mounted right, thickness of brake disc 12,5 mm:

DV 020 FEM - 460 R - 12

Technical Data



Brake Caliper DV 020 FEM with electromagnet 460 for 230/240 V	
Brake disc diameter	Braking torque
mm	Nm
200	190
250	260
300	330
355	400
430	510
520	630
Clamping force	3400 N
Power consumption in open position	12 W (100% duty factor)
Fuse rating	6A
Max. number of actuation	800/h permanent activations at 20° C ambient temperature
Weight	15 kg

The braking torques shown in the table are based on a theoretical friction coefficient of 0,4.

Accessories

Universal Transformer see page 166.

Options

- Available with cCSAus approval
- Inductive proximity switch: "Brake released"
- Inductive proximity switch: "Brake closed"